



US00D963774S

(12) **United States Design Patent**
Higgins et al.

(10) **Patent No.:** **US D963,774 S**
(45) **Date of Patent:** **** Sep. 13, 2022**

- (54) **SWING TRAINING DEVICE**
- (71) Applicants: **Mike Higgins**, Coral Springs, FL (US);
Lester Aguilera, Davie, FL (US)
- (72) Inventors: **Mike Higgins**, Coral Springs, FL (US);
Lester Aguilera, Davie, FL (US)
- (73) Assignee: **FLEYE SPORTS LLC**, Davie, FL
(US)

- D277,995 S * 3/1985 Hand, Jr. D21/791
- 4,762,325 A * 8/1988 McCleery A63B 69/3608
33/262
- 4,852,882 A * 8/1989 Otsuka A63B 69/3608
473/210
- 5,052,114 A * 10/1991 Levenson G01C 15/12
473/270
- 5,413,346 A * 5/1995 Hedlund A63B 69/3608
473/268
- D359,334 S * 6/1995 Taylor D21/791

(**) Term: **15 Years**
(21) Appl. No.: **29/652,768**

Primary Examiner — Mitchell I. Siegel
(74) *Attorney, Agent, or Firm* — Dunlap Bennett &
Ludwig, PLLC

- (22) Filed: **Nov. 19, 2020**
- (51) **LOC (13) Cl.** **21-02**
- (52) **U.S. Cl.**
USPC **D21/753**; D21/780; D21/791
- (58) **Field of Classification Search**
USPC D21/753, 780, 789, 791
CPC A42B 3/0406; A63B 2069/0008; A63B
69/00; A63B 69/0002; A63B 69/3608
See application file for complete search history.

(57) **CLAIM**

The ornamental design for a swing training device, as shown and described.

DESCRIPTION

FIG. 1 is a top front perspective view of a swing training device, showing our new design;
FIG. 2 is a front elevation view thereof;
FIG. 3 is a rear elevation view thereof;
FIG. 4 is a right-side elevation view thereof, the left-side elevation view being a mirror thereof;
FIG. 5 is a top plan view thereof;
FIG. 6 is a bottom plan view thereof; and,
FIG. 7 is a top front perspective view of the swing training device shown in use.

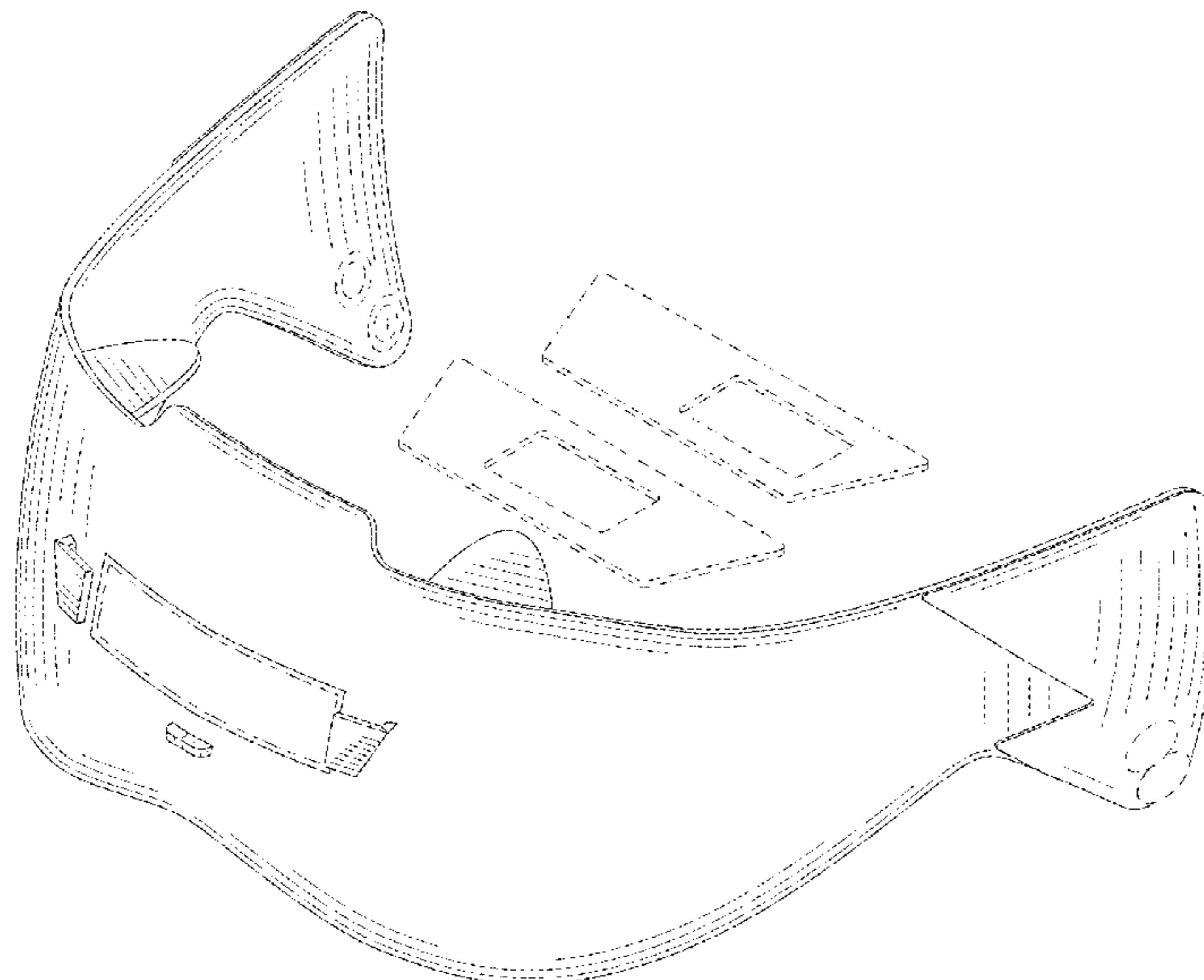
The dot-dash-dot (unevenly-sized) broken lines define the bounds of the claimed design and so form no part of the claimed design. The dash-dash (evenly-sized) broken lines showing the visor inserts depict environmental subject matter that forms no part of the claimed design, while the remaining dash-dash (evenly-sized) broken lines shown in the drawings depict portions of the swing training device that form no part of the claimed design.

1 Claim, 4 Drawing Sheets

(56) **References Cited**

U.S. PATENT DOCUMENTS

- 2,433,590 A * 12/1947 Barr G02C 11/12
2/13
- 2,434,076 A * 1/1948 Kilham A42B 1/247
2/10
- 2,598,145 A * 5/1952 Steadman, Jr. G02B 7/002
359/410
- 2,717,385 A * 9/1955 Linster A42B 1/247
2/10
- 3,594,007 A * 7/1971 Kalberer A63B 69/3608
473/211
- D238,831 S * 2/1976 Helfand 2/12
- 4,063,740 A * 12/1977 Mader A63B 69/3608
2/209.13
- 4,392,650 A * 7/1983 Hilton A63B 69/38
473/464



(56)

References Cited

U.S. PATENT DOCUMENTS

5,661,534 A * 8/1997 Gill A61F 9/045
2/13
D415,234 S * 10/1999 Feinbloom D21/791
6,390,619 B1 * 5/2002 Gill, Jr. A63B 69/0002
351/44
8,296,869 B2 * 10/2012 Kellogg A42B 3/0406
2/9
10,987,560 B2 * 4/2021 Higgins A63B 69/0002
2021/0205683 A1 * 7/2021 Higgins A63B 69/3608

* cited by examiner

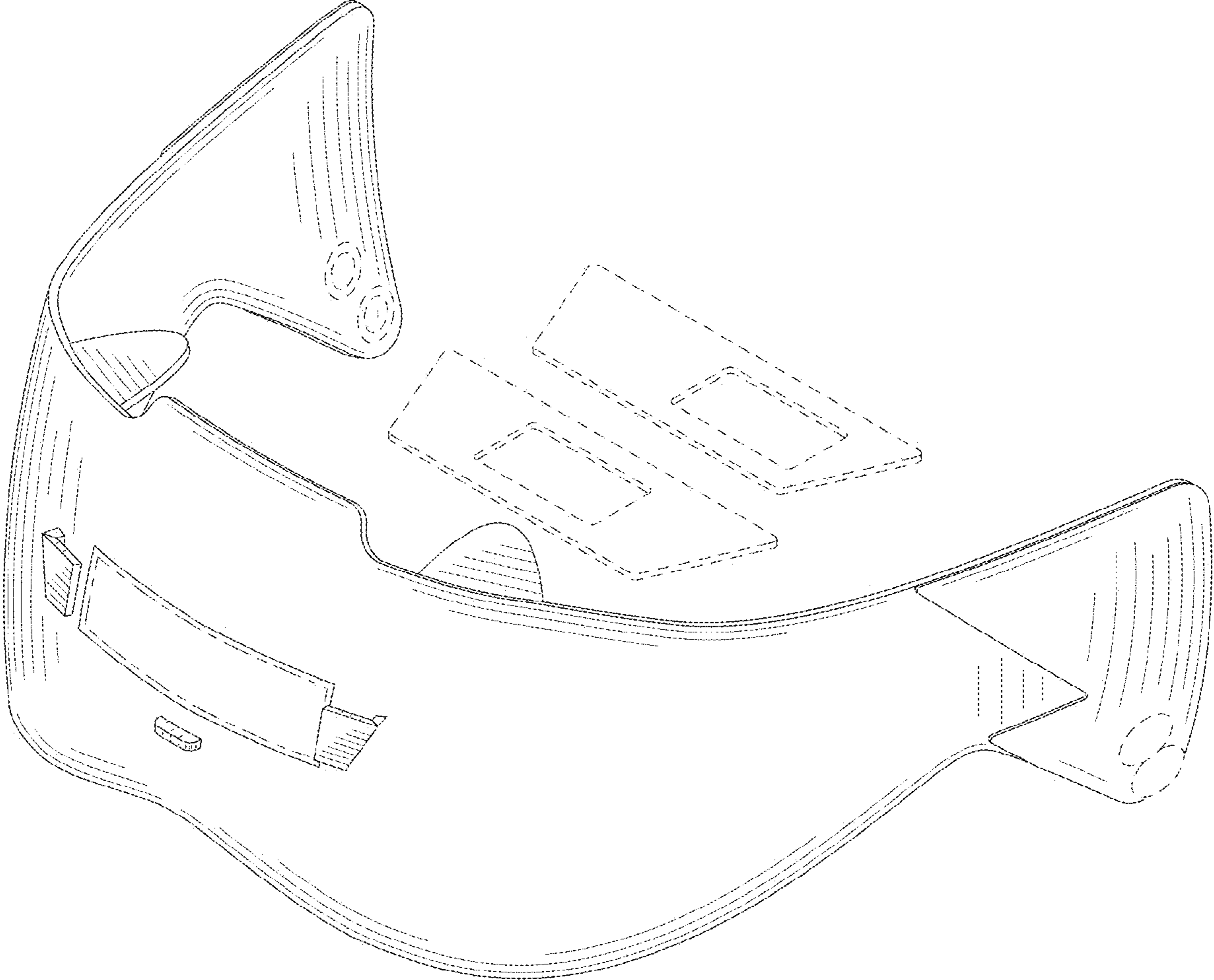


FIG. 1

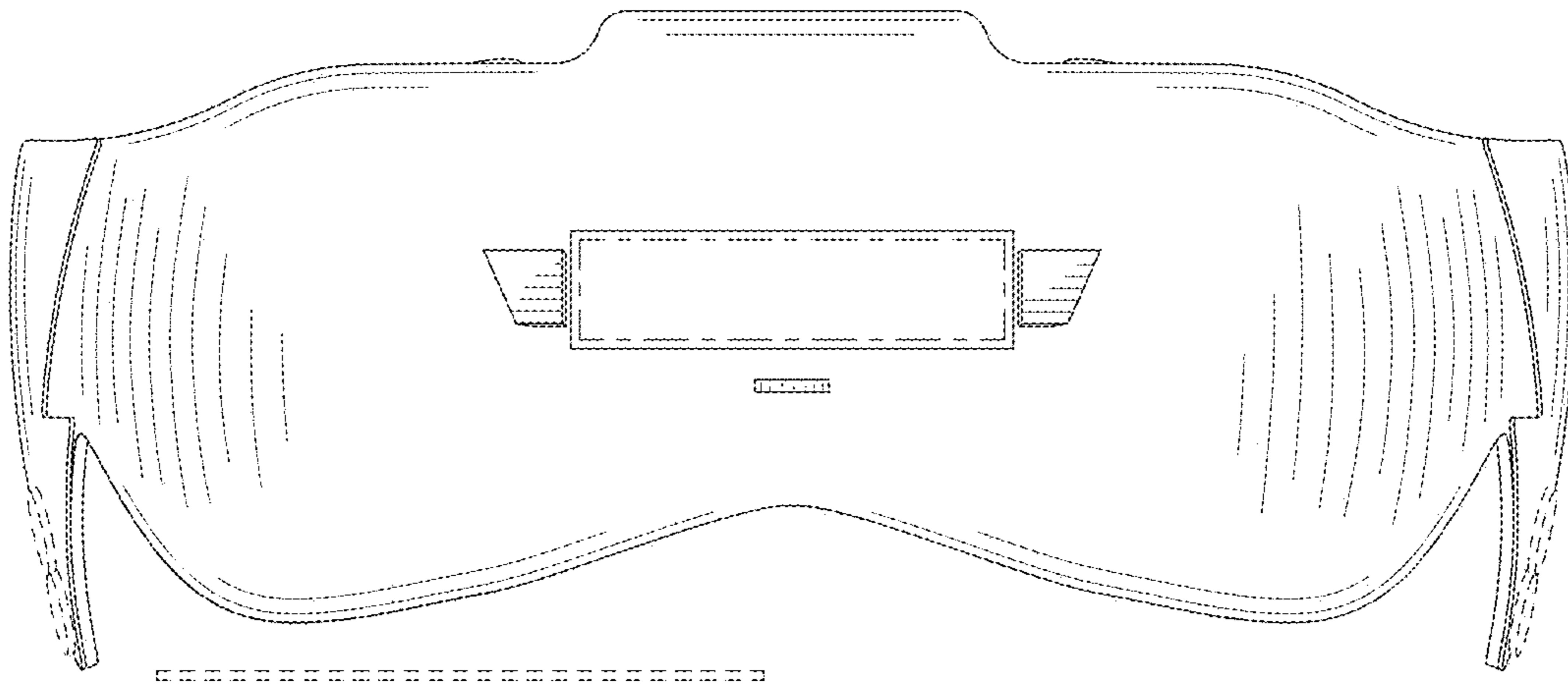


FIG. 2

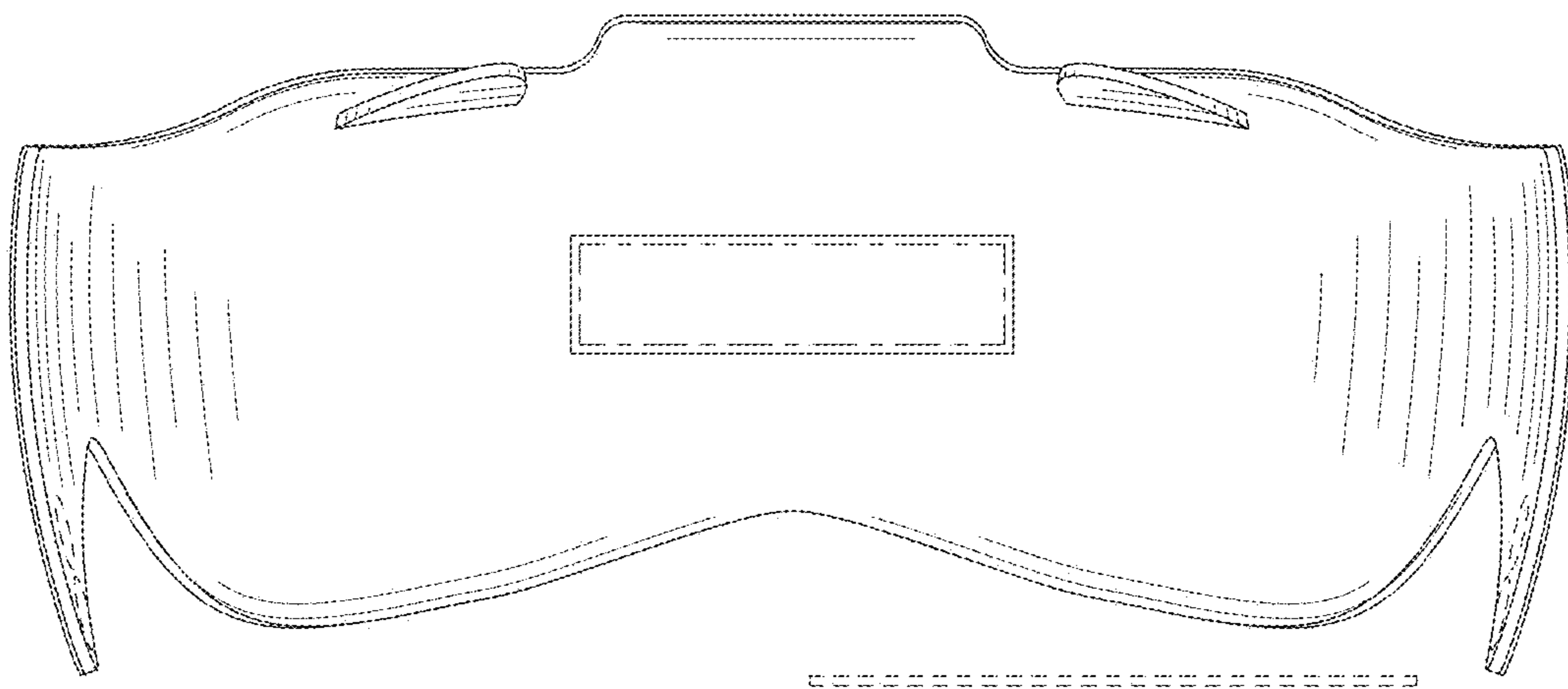


FIG. 3

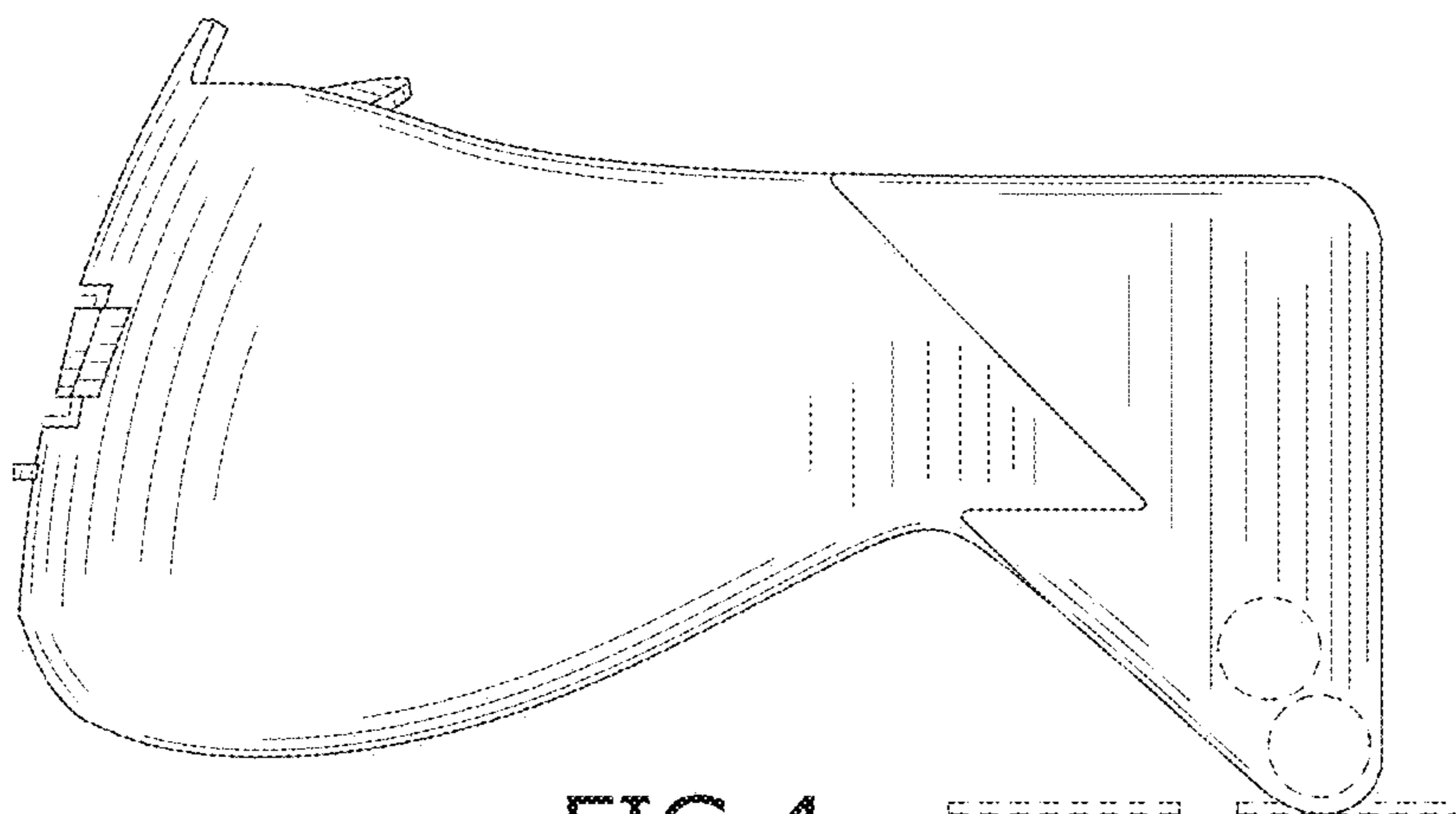


FIG. 4

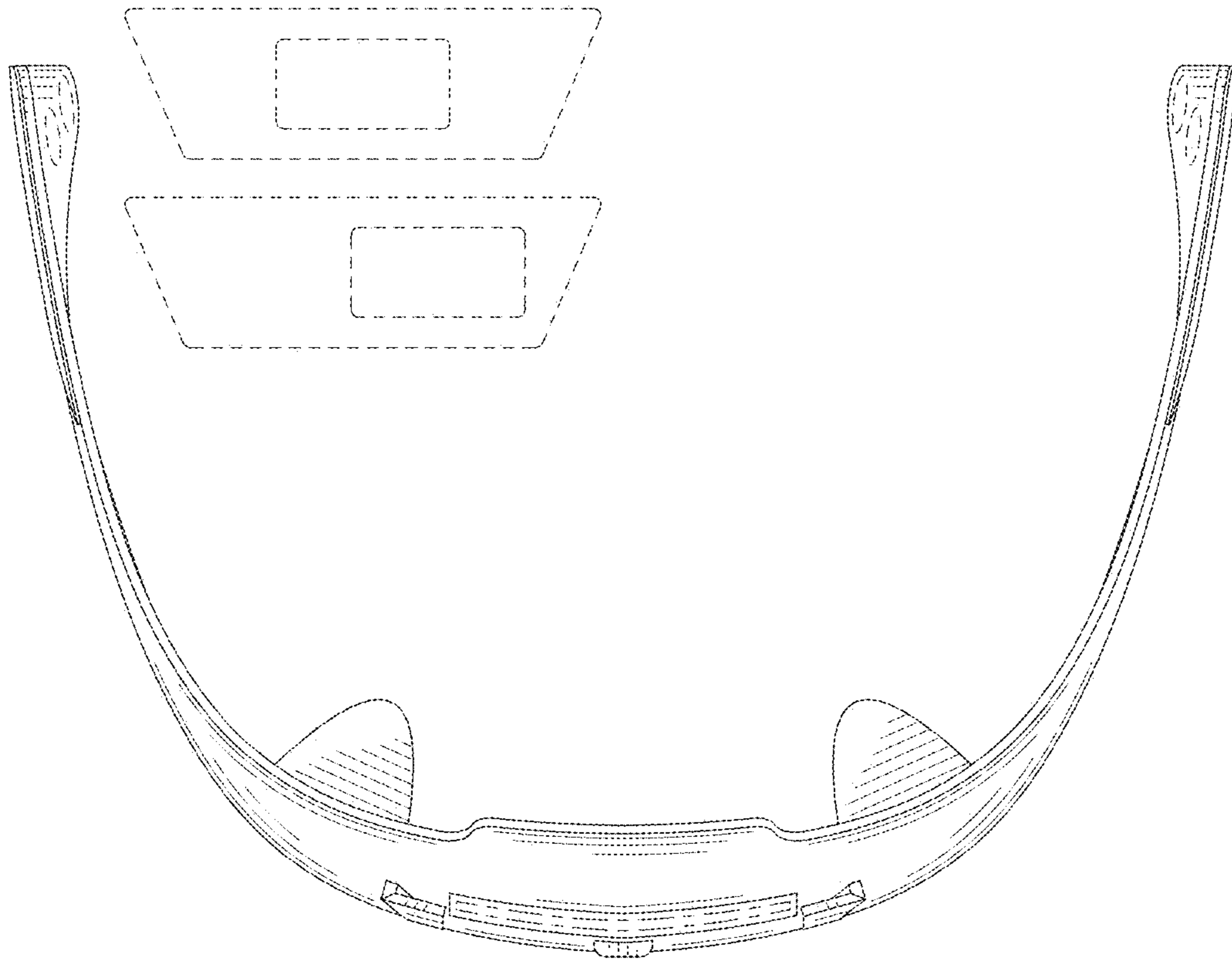


FIG. 5

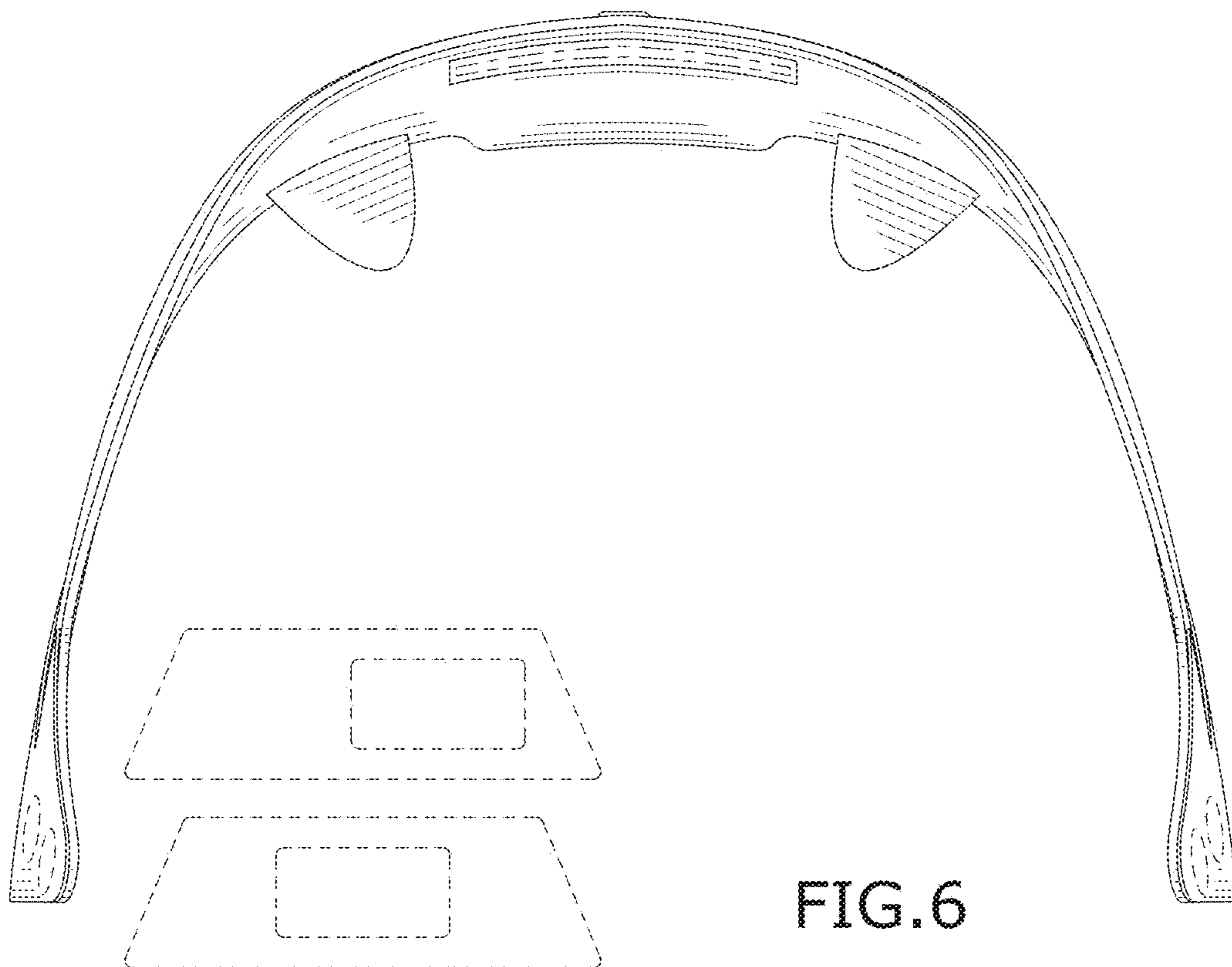


FIG. 6

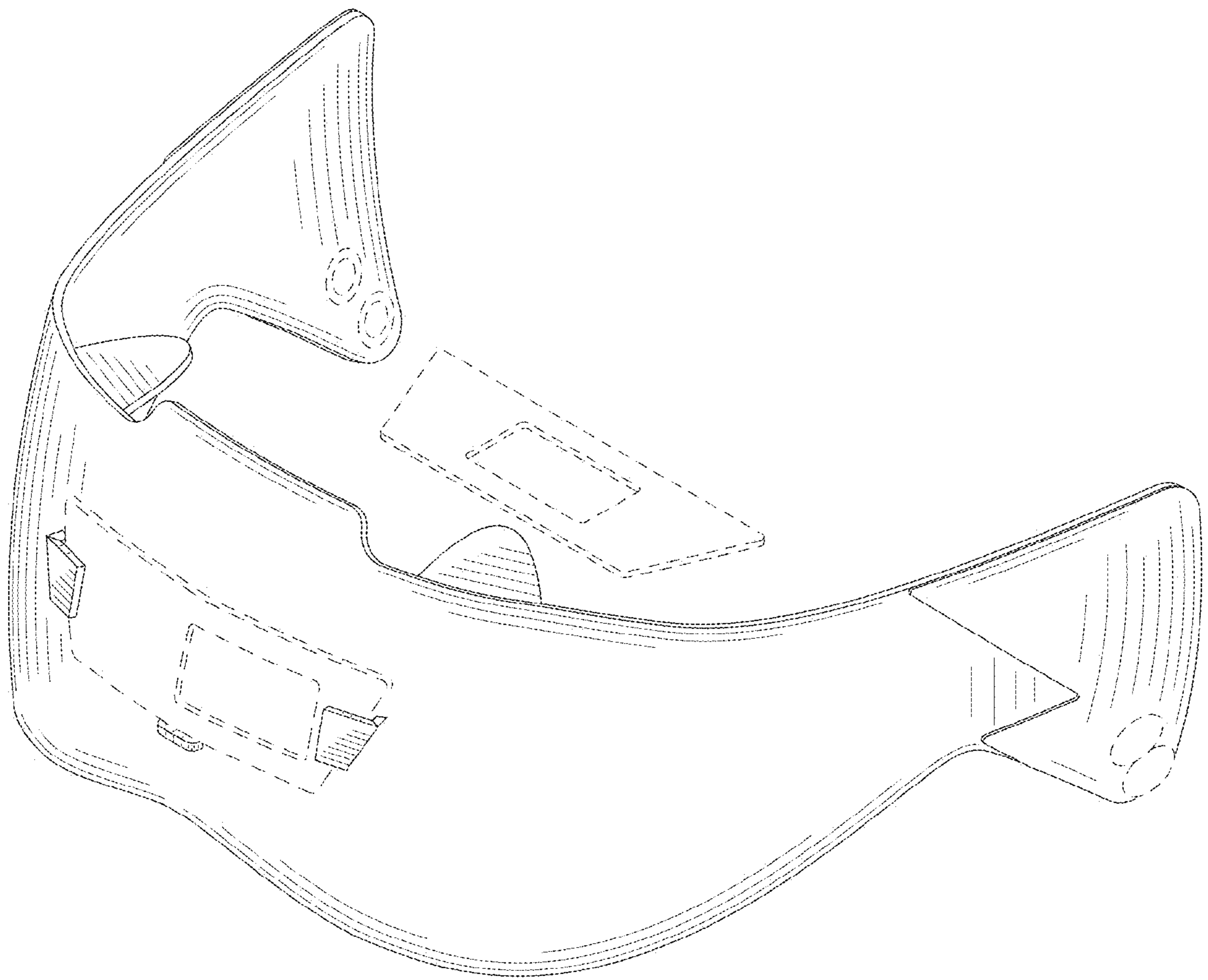


FIG. 7